

87984-3 ✓ ACTIVE

AMPMODU | AMPMODU MOD 1

TE Internal #: 87984-3

PCB Mount Receptacle, Vertical, Board-to-Board, 3 Position, 3.96 mm [.156 in] Centerline, Fully Shrouded, Gold, Through Hole - Solder, AMPMODU MOD 1

[View on TE.com >](#)



Connectors > PCB Connectors > PCB Headers & Receptacles



PCB Connector Assembly Type: **PCB Mount Receptacle**

PCB Mount Orientation: **Vertical**

Connector System: **Board-to-Board**

Number of Positions: **3**

Number of Rows: **1**

Features

Product Type Features

Applied Pressure	Standard
PCB Connector Assembly Type	PCB Mount Receptacle
Connector System	Board-to-Board
Header Type	Fully Shrouded
Connector & Contact Terminates To	Printed Circuit Board

Configuration Features

Stackable	No
PCB Mount Orientation	Vertical
Number of Positions	3
Number of Rows	1
Board-to-Board Configuration	Parallel

Electrical Characteristics

Insulation Resistance	5000 MΩ
-----------------------	---------

Body Features

Primary Product Color	Black
-----------------------	-------

Contact Features

Contact Layout	Inline
PCB Contact Termination Area Plating Material Thickness	1.27 μm[50 μin]



Mating Tab Width	1.58 mm[.062 in]
Mating Tab Thickness	.79 mm[.031 in]
PCB Contact Termination Area Plating Material	Gold Flash
Contact Base Material	Phosphor Bronze
Contact Mating Area Plating Material	Gold
Contact Mating Area Plating Material Thickness	.76 μ m[30 μ in]
Contact Type	Socket
Contact Current Rating (Max)	5 A

Termination Features

Rectangular Termination Post & Tail Thickness	.25 mm[.01 in]
Rectangular Termination Post & Tail Width	1.02 mm[.04 in]
Termination Post & Tail Length	2.85 mm[.112 in]
Termination Method to Printed Circuit Board	Through Hole - Solder

Mechanical Attachment

Mating Alignment	Without
PCB Mount Retention	Without
PCB Mount Alignment	Without
Connector Mounting Type	Board Mount

Housing Features

Mating Entry Location	Bottom
Centerline (Pitch)	3.96 mm[.156 in]
Housing Material	PA66

Dimensions

Connector Height	2.85 mm[.112 in]
PCB Thickness (Recommended)	1.4 – 1.78 mm[.055 – .07 in]

Usage Conditions

Operating Temperature Range	-65 – 105 °C[-85 – 221 °F]
-----------------------------	----------------------------

Operation/Application

Assembly Process Feature	None
Circuit Application	Signal

Industry Standards

Approved Standards	CSA LR16455, UL E28476
--------------------	------------------------



UL Flammability Rating

UL 94V-0

Packaging Features

Packaging Quantity

41

Packaging Type

Tube

Product Compliance

[For compliance documentation, visit the product page on TE.com>](#)

EU RoHS Directive 2011/65/EU

Compliant

EU ELV Directive 2000/53/EC

Compliant

China RoHS 2 Directive MIIT Order No 32, 2016

No Restricted Materials Above Threshold

EU REACH Regulation (EC) No. 1907/2006

Current ECHA Candidate List: JUNE 2022 (224)
Candidate List Declared Against: JUNE 2022 (224)
Does not contain REACH SVHC

Halogen Content

Not Low Halogen - contains Br or Cl > 900 ppm.

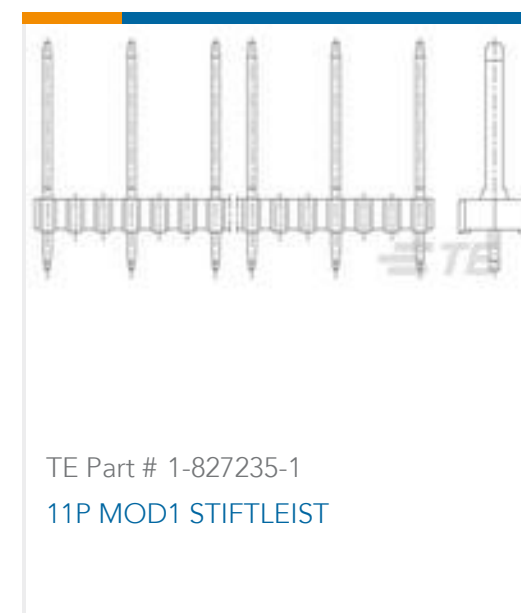
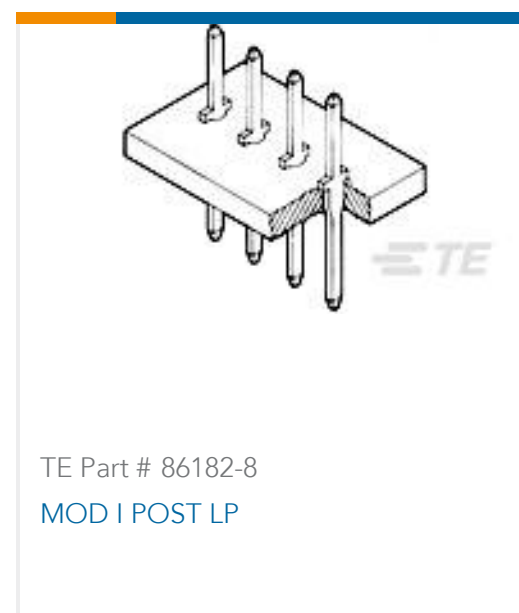
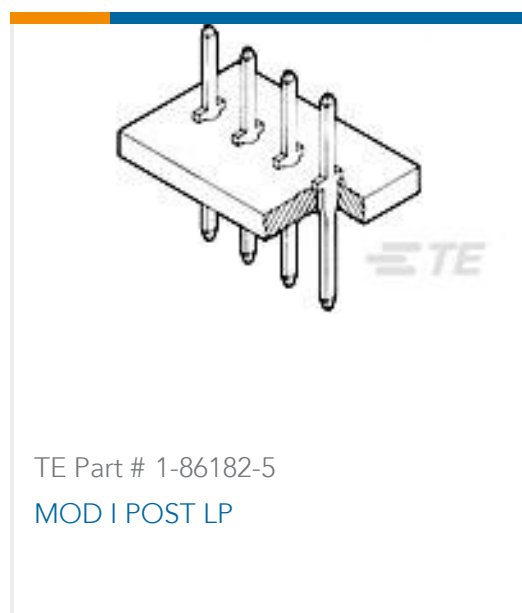
Solder Process Capability

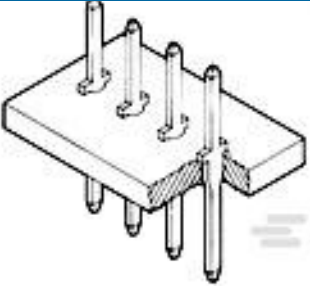
Wave solder capable to 240°C

Product Compliance Disclaimer

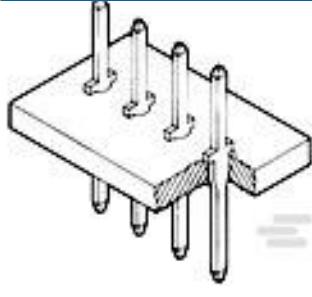
This information is provided based on reasonable inquiry of our suppliers and represents our current actual knowledge based on the information they provided. This information is subject to change. The part numbers that TE has identified as EU RoHS compliant have a maximum concentration of 0.1% by weight in homogenous materials for lead, hexavalent chromium, mercury, PBB, PBDE, DBP, BBP, DEHP, DIBP, and 0.01% for cadmium, or qualify for an exemption to these limits as defined in the Annexes of Directive 2011/65/EU (RoHS2). Finished electrical and electronic equipment products will be CE marked as required by Directive 2011/65/EU. Components may not be CE marked. Additionally, the part numbers that TE has identified as EU ELV compliant have a maximum concentration of 0.1% by weight in homogenous materials for lead, hexavalent chromium, and mercury, and 0.01% for cadmium, or qualify for an exemption to these limits as defined in the Annexes of Directive 2000/53/EC (ELV). Regarding the REACH Regulation, the information TE provides on SVHC in articles for this part number is based on the latest European Chemicals Agency (ECHA) 'Guidance on requirements for substances in articles' posted at this URL: <https://echa.europa.eu/guidance-documents/guidance-on-reach>

Compatible Parts

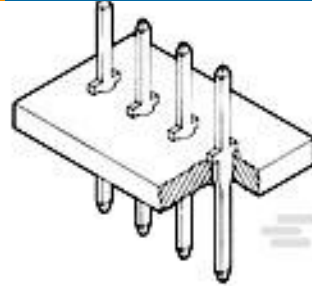


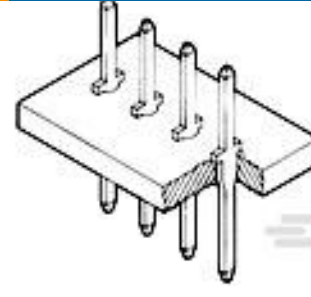
TE Part # 1-86147-2
MOD I POST PLTD 30 AU



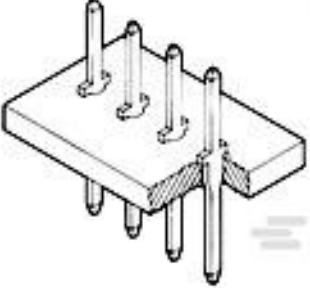
TE Part # 1-86147-5
MOD I POST PLTD 30 AU



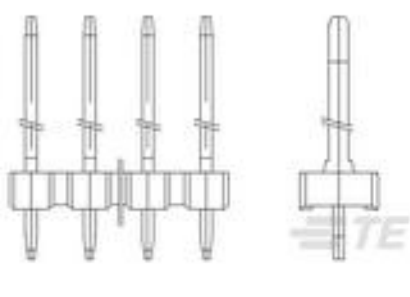
TE Part # 1-86147-8
MOD I POST PLTD 30 AU



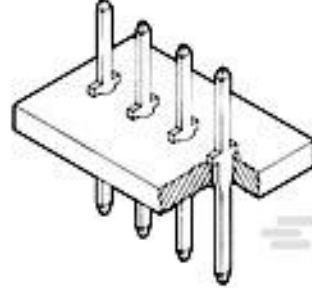
TE Part # 1-86182-2
MOD I POST LP



TE Part # 1-86182-8
MOD I POST LP



TE Part # 2-826539-3
23P MOD 1 UNSHROUDED HEADER, ST, 0.8 Au



TE Part # 4-86147-2
MOD I POST PLTD 30 AU



TE Part # 827873-3
3P MOD1 UNSHRD HDR, P 5.08, ST, 0.8 Au



TE Part # 85829-3
03 MODI HDR SRST .156CL



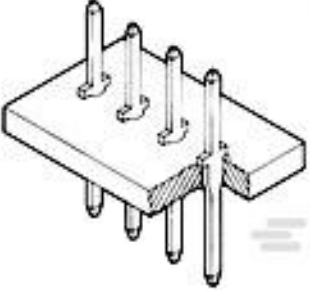
TE Part # 85839-3
03 MODI HDR SRST .156CL



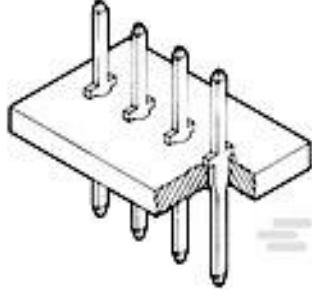
TE Part # 85923-3
03 MODI HDR SRST .156CL



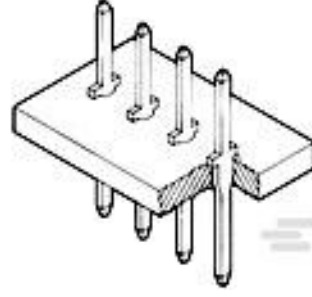
TE Part # 85923-9
09 MODI HDR SRST .156CL



TE Part # 86147-7
MOD I POST PLTD 30 AU



TE Part # 86147-8
MOD I POST PLTD 30 AU




TE Part # 86182-7
MOD I POST LP




TE Part # 87632-3
03 MODI HDR SRRRA .156CL

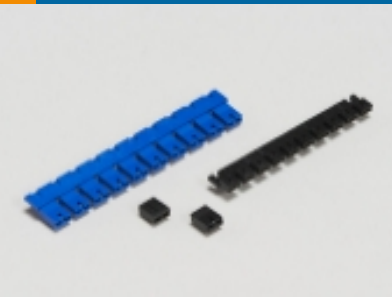
Also in the Series | **AMPMODU MOD 1**




Automotive Terminals(6)



Board-to-Board Connector Contacts (104)



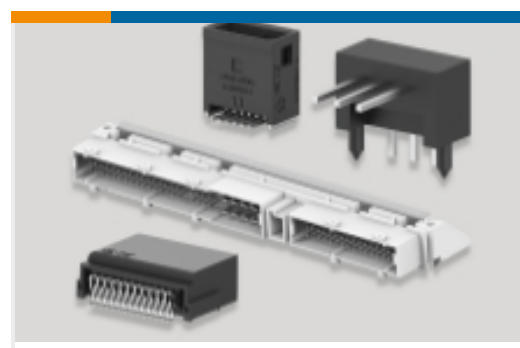
Board-to-Board Jumpers & Shunts(5)



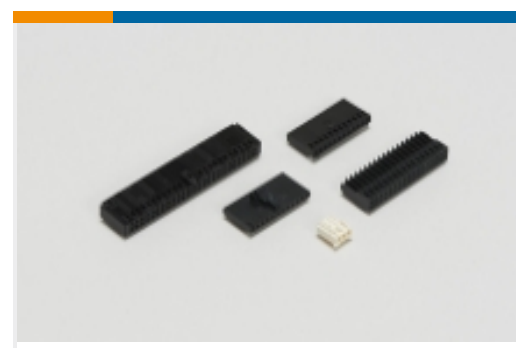
Insertion & Extraction Tools(1)



PCB Connector Keying(2)



PCB Headers & Receptacles(372)

Wire-to-Board Connector Assemblies
& Housings(44)

Wire-to-Board Connector Contacts(2)

Documents

Product Drawings

[03 MODI BDMNT RCPT SR .156CL](#)

English

CAD Files

[3D PDF](#)

3D

Customer View Model

[ENG_CVM_CVM_87984-3_N.2d_dxf.zip](#)

English

Customer View Model

[ENG_CVM_CVM_87984-3_N.3d_igs.zip](#)

English

Customer View Model

[ENG_CVM_CVM_87984-3_N.3d_stp.zip](#)

English

By downloading the CAD file I accept and agree to the [Terms and Conditions](#) of use.

Datasheets & Catalog Pages

[AMPMODU_INTERCONNECTION_SYSTEM_SECTION_6_7AND8](#)

English

Product Specifications

[Product Specification](#)

English